

HONDA

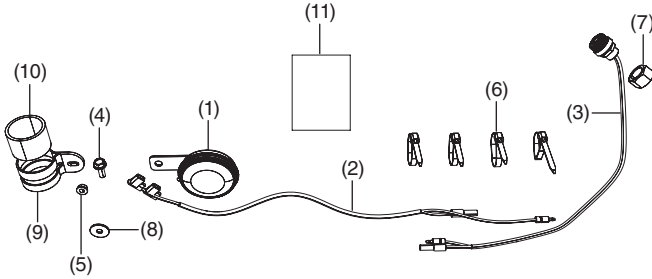
INSTALLATION INSTRUCTIONS

Accessory
HORN KIT
P/N OSV09-HL3-A00

Application
SXS700 M2/M4

Publication No.
MII 17775
Issue Date
August 2022

PARTS LIST



No.	Description	Qty
(1)	Horn	1
(2)	Horn wire harness	1
(3)	Horn switch	1
(4)	6 × 16 mm flange bolt	1
(5)	6 mm flange nut	1
(6)	Wire tie	4
(7)	16 mm hex nut	1
(8)	6 mm washer	1
(9)	Horn band	1
(10)	Band cushion	1
(11)	Installation Instruction URL	1

TOOLS AND SUPPLIES REQUIRED

Torque wrench
10 mm socket
Ratchet
10 mm wrench
Power Drill
16 mm drill bit (or hole saw)
Scissors
Awl
Thread lock (LOCTITE 242 or equivalent)

TORQUE CHARTS

Tighten all screws, bolts, and nuts to their specified torque values. Refer to the Service Manual for the torque values of the removed parts.

Item	N·m	kgf·m	lbf·ft
6 mm flange bolt and nut	12	1.2	8.9
16 mm hex nut	1.5	0.2	1.1

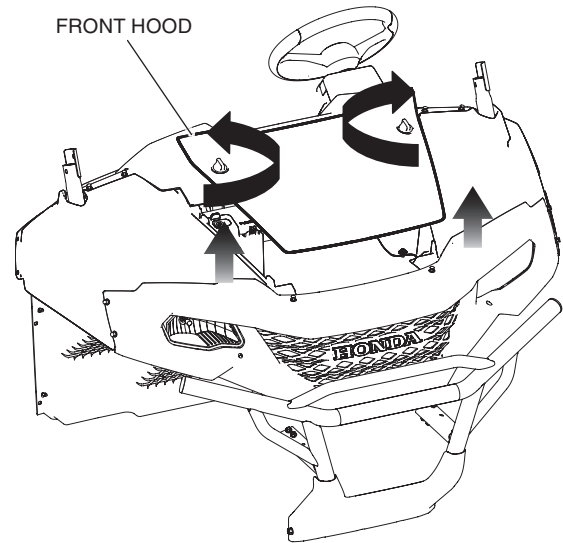
USE AND CARE INFORMATION

Check the accessory mounts frequently and retighten if necessary.

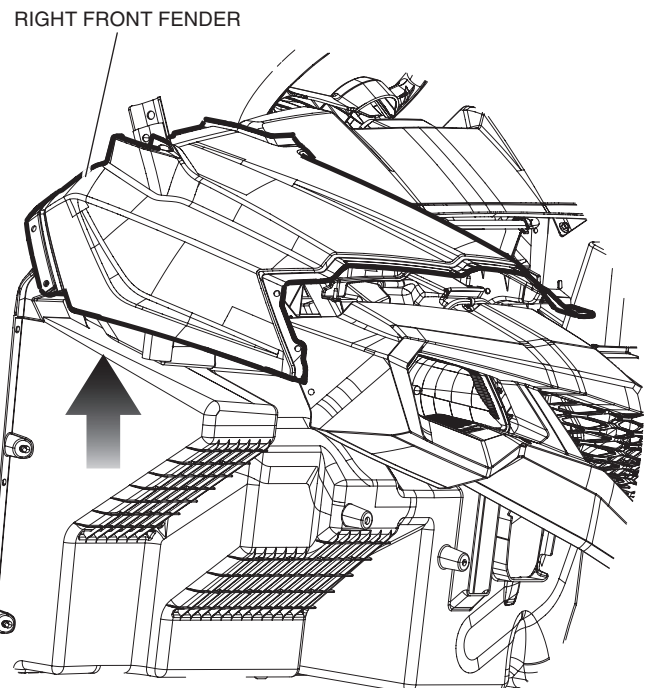
Trim all excess material on wire ties no longer than 5 mm.

INSTALLATION

1. Remove front hood by turning knobs in an outward direction and then pulling up as shown.



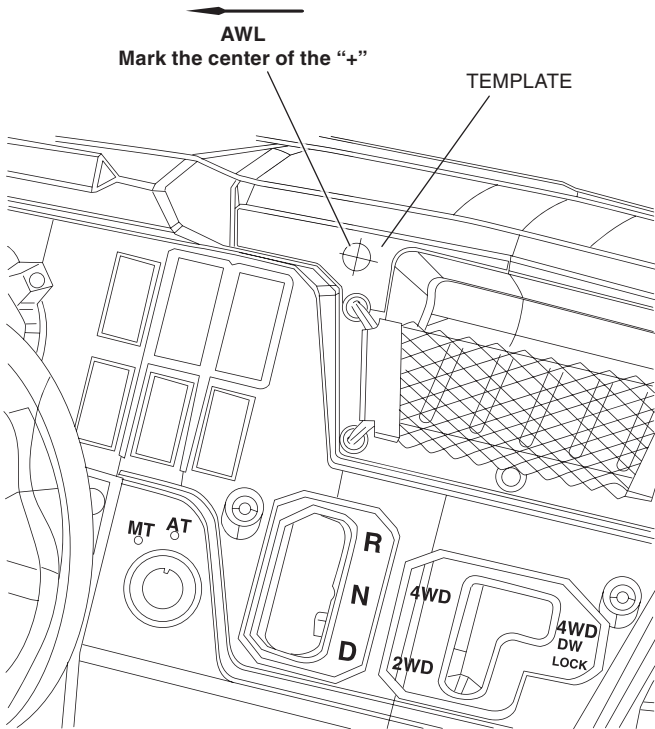
2. Referring to the service manual for the vehicle, remove the right front fender.



3. Cut out the template from page 5.

Tape the template to the instrument panel at the location shown.

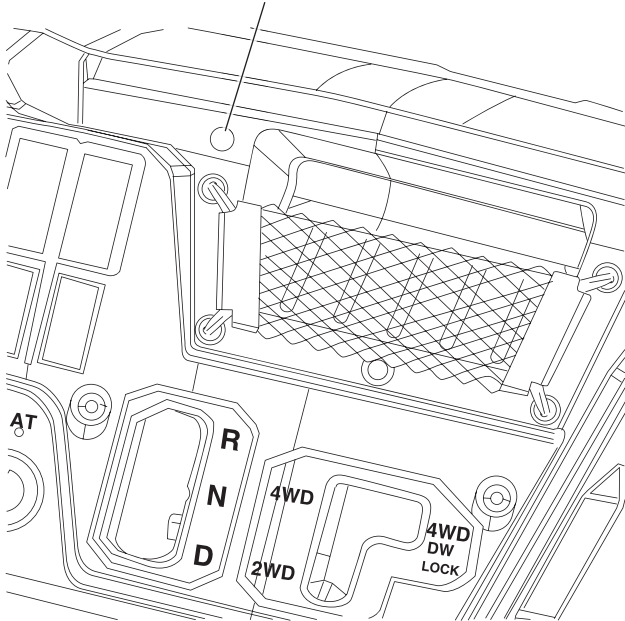
Mark the instrument panel for drilling by pushing the tip of an awl through the center "+" of the template circle.



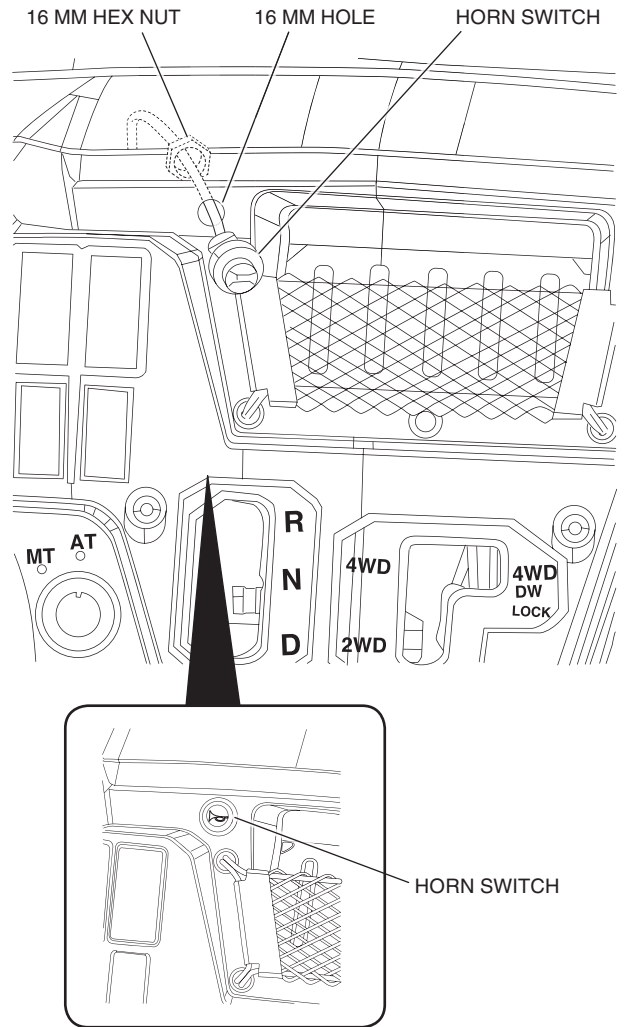
4. Drill marked point with a 16 mm drill bit/hole saw.

- Remove any burrs from the edge of the hole.

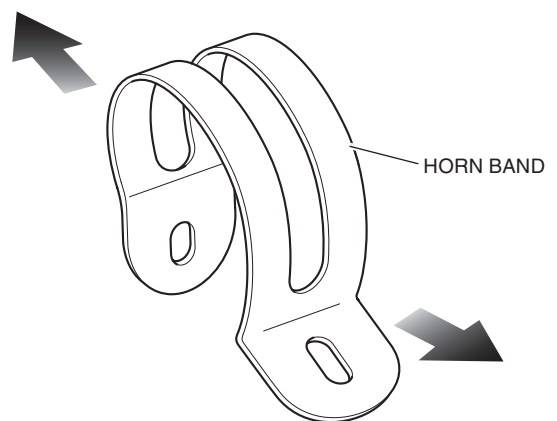

POWER DRILL
16 MM DRILL BIT/HOLE SAW



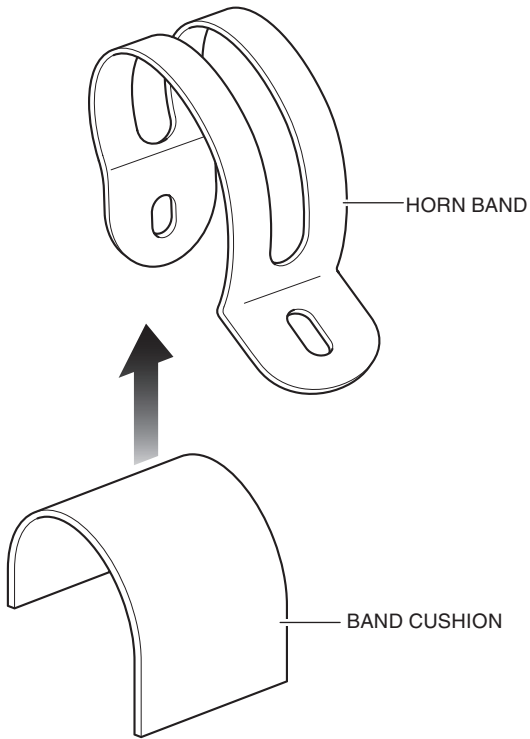
5. Install the horn switch as shown.



6. Expand horn band as shown.

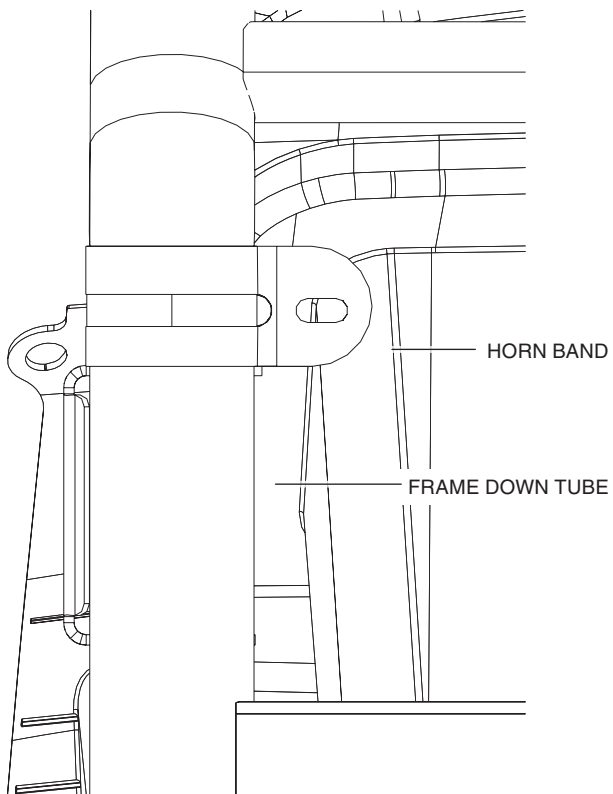


7. Install the band cushion into the horn band.



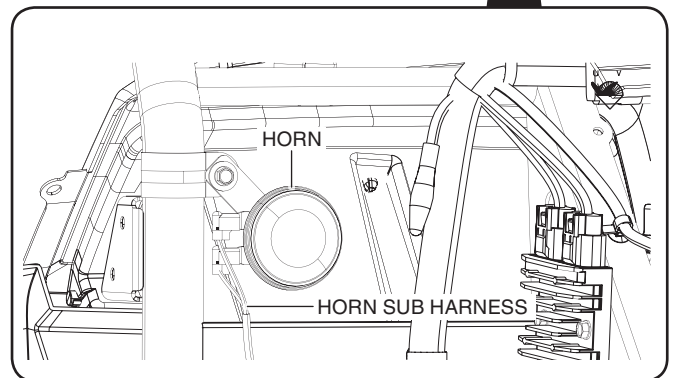
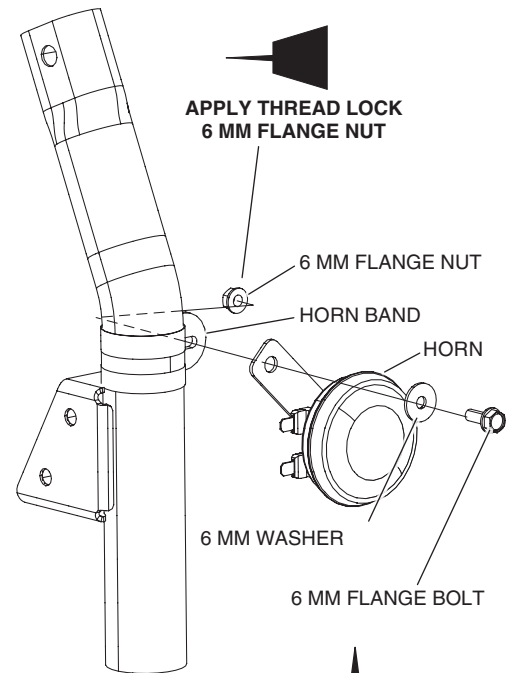
8. Install the assembled horn band to the right front frame down tube.

< Right front upper wheel well >



9. Apply thread lock to the 6 mm flange nut. Install the horn at a 45-degree angle on the down tube. Connect the horn wire harness to the horn.

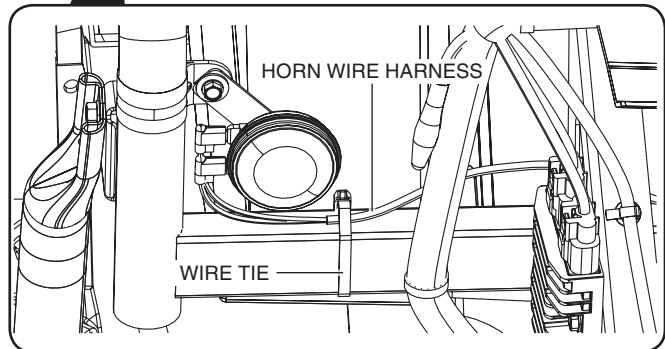
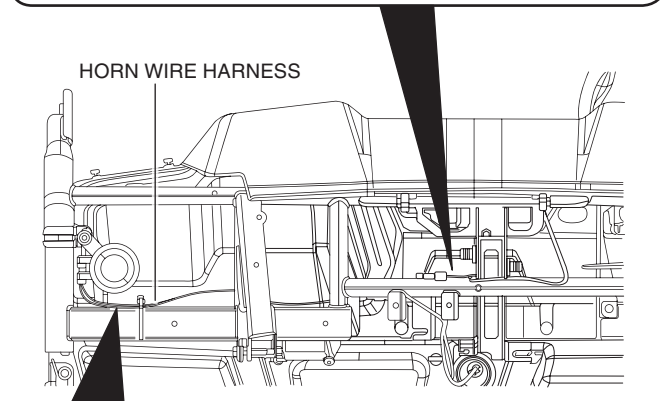
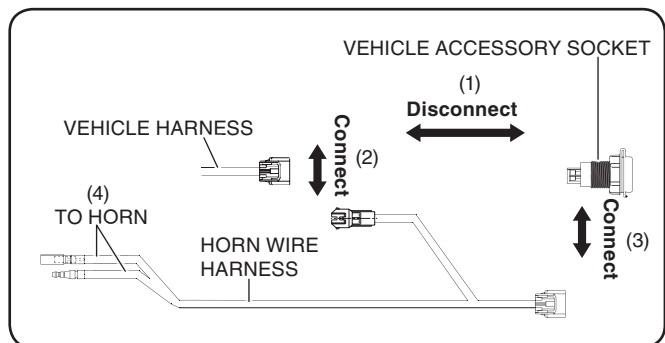
< Right front upper wheel well >



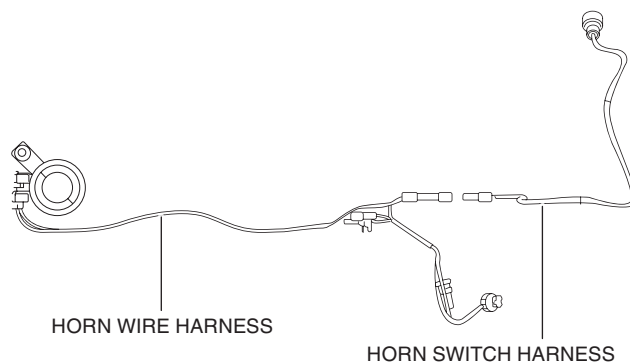
- Disconnect the vehicle harness from the vehicle accessory socket. Connect the horn wire harness to the vehicle harness as shown.

Connect the horn wire harness to the vehicle accessory socket as shown.

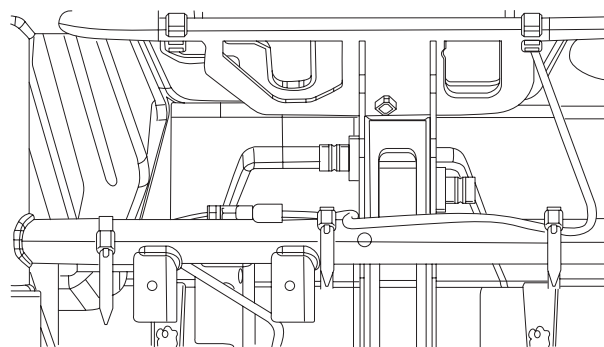
Secure the horn wire harness to the frame with a wire tie as shown.



- Connect the horn switch harness to the horn wire harness in the configuration shown.



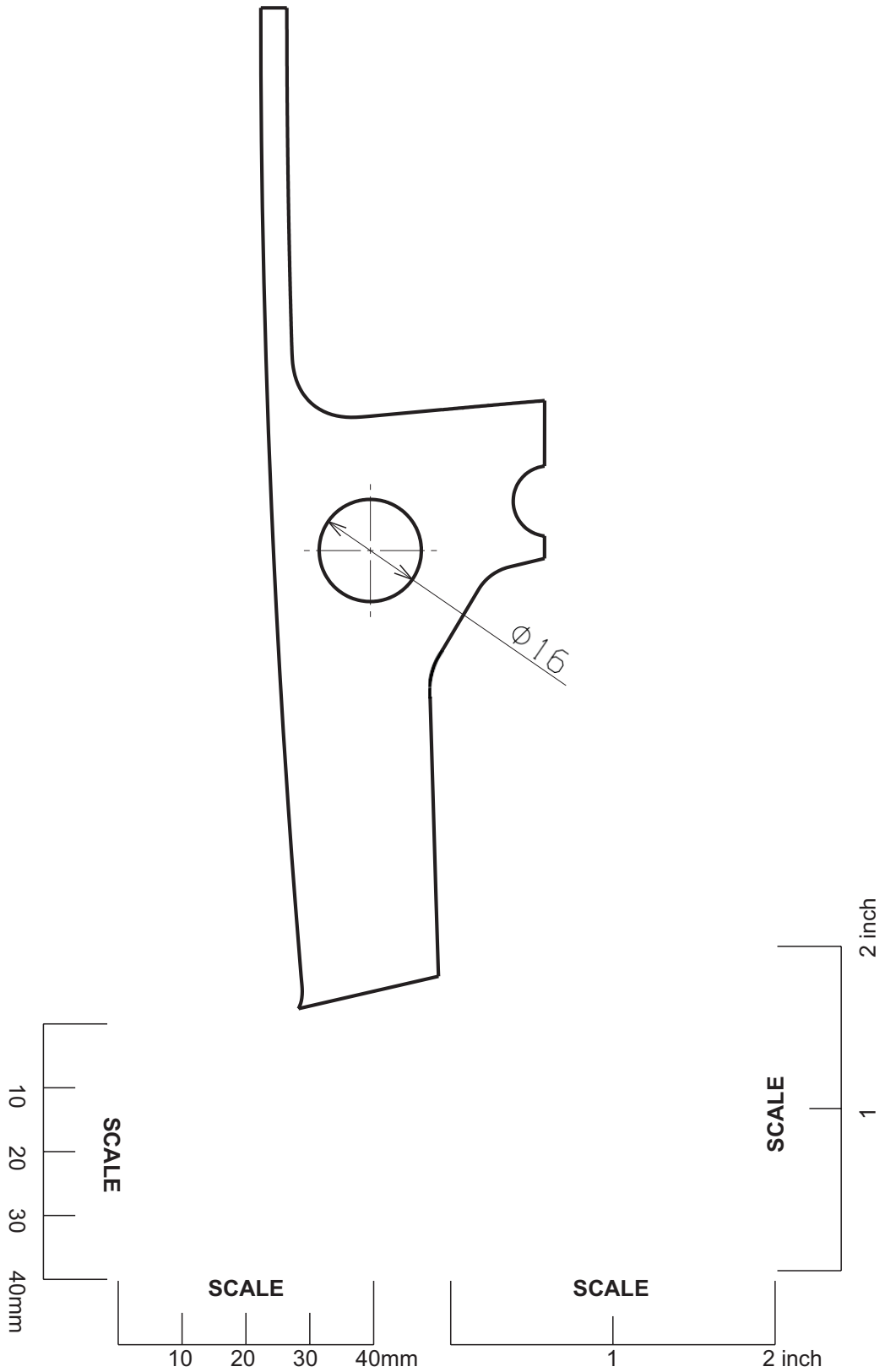
- Secure the horn wire harness to the frame with wire ties as shown.



- Refer to Service Manual to reinstall the vehicle's parts in reverse order of removal.

<TEMPLATE>

Cut the template along the lines.



NOTICE
If you print this template from your local computer, make sure the printer settings do not "scale" or "shrink" the page.